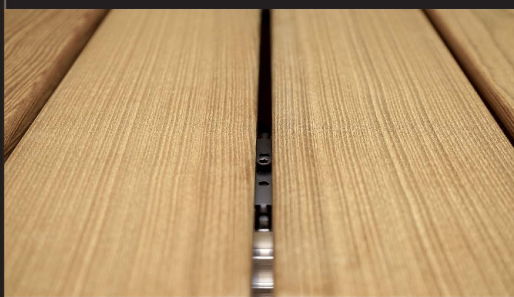


PLATA

DECKING CONNECTOR



The **PLATA P** decking connectors ensure quick and easy installation of side-grooved, dimensionally stable wood or composite decking.

The decking board is clamped to the substructure with one screw through the side groove using the decking connector.

Integrated clamping or sprung arms automatically hold the connector in the side groove of the boards.

The joint spacers ensure uniform joints and can compensate swelling movements of up to 2 mm per board.

PLATA P The stainless steel decking connector, with a total length of 65 mm, conceals the substructure while providing an optimum hold.

Recommended substructure:

Preferably softwood such as larch, Douglas fir, thermo pine, thermo spruce or wood of similar density as well as RELO N aluminium substructure joists.

PLATA P with UNIA2		
Description	PU	Prod. No.
4,8x47 mm	100 PCS	013304003



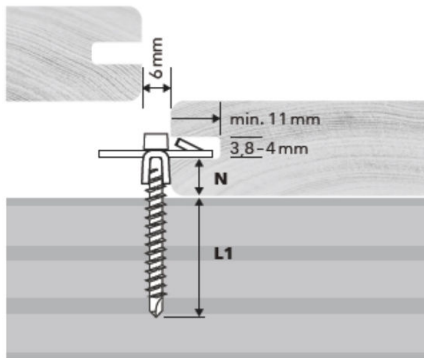
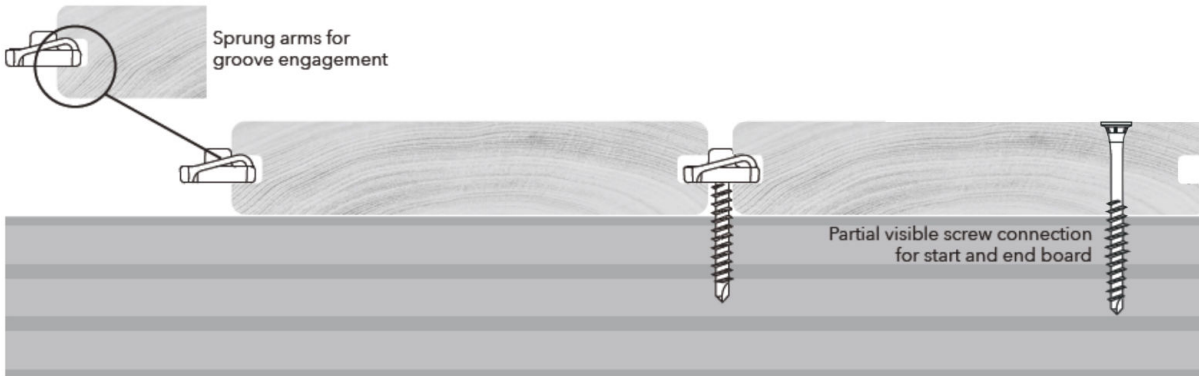
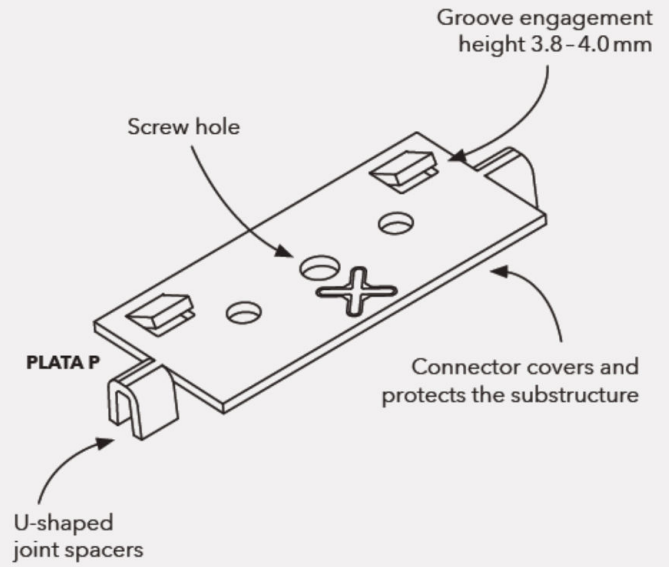
SET-PACK

Each packaging contains the screws required for installation, UNIA system screws and assembly instructions



BRANDING
Custom branding upon request

PLATA P



The groove position (N) must be uniform

DOWNLOADS



Installation



Board exchange



Data sheet



Tips & Tricks



Configurator

OVERVIEW	PLATA P with UNIA 4.8x47 mm			
N mm	6-7	8-9	9.5-10.5	11-12
L1 mm	37	35	34	32
RELO N Substructure				
Wood Substructure	■	■	■	■
	■ Compatible substructure Screw-in depth L1: Wood min. 26 mm			
Dimensions:	PLATA P: L 65 mm W 24 mm T 1.5 mm joint spacing 6.0 mm			
Material:	Stainless steel black System screw: UNIA2 A2 stainless steel with black surface coating ☺☺			
Fastening type:	Concealed sliding point fixation			
Decking profile:	Dimensionally stable and modified wood species with side grooved profiled decking boards			